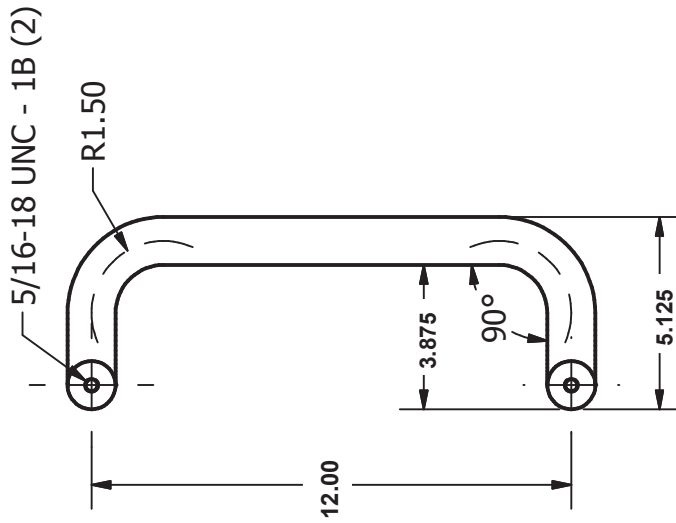
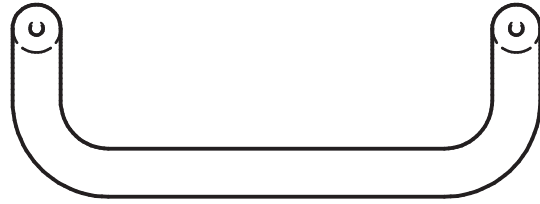




SCALE 1 / 4



ACCESS DOOR
 WWW.accessdoor.us

AA1412

DECIMAL .XXX ± .002	FRACTIONAL ± 1/64
DECIMAL .XX ± .005	ANGULAR ± 1°
DECIMAL .X ± .01	AUTODESK INVENTOR

SIZE A	MATERIAL 0110-1in-SM	DWG NO/PART NO	REV
SCALE 25%	DATE 9/26/2005	DRAWN ENGSVR1	ENGSVR1

B



A

B



A

1

2

1

2

