

Layout handle location on door. If this is a retrofit application the holes used for this layout are already drilled. These will become the pilot holes for the iso-stud fabrication. The holes for the iso-stud are 5/8" diameter holes on the touch sensitive side of the door panel. This hole may be slightly over drilled to ease insertion (pilot point drill bits are recommended to eliminate the potential for your drill bit to wander).

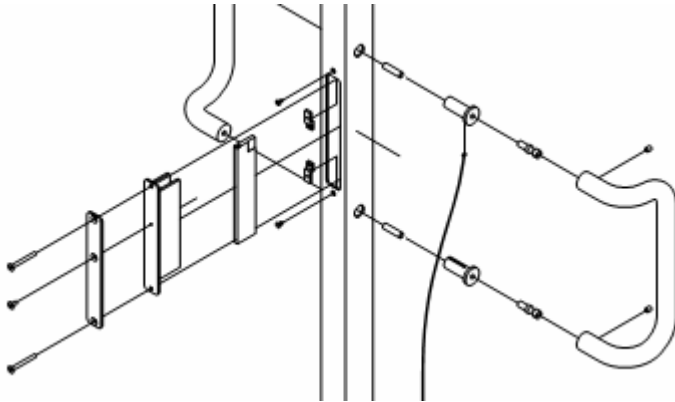
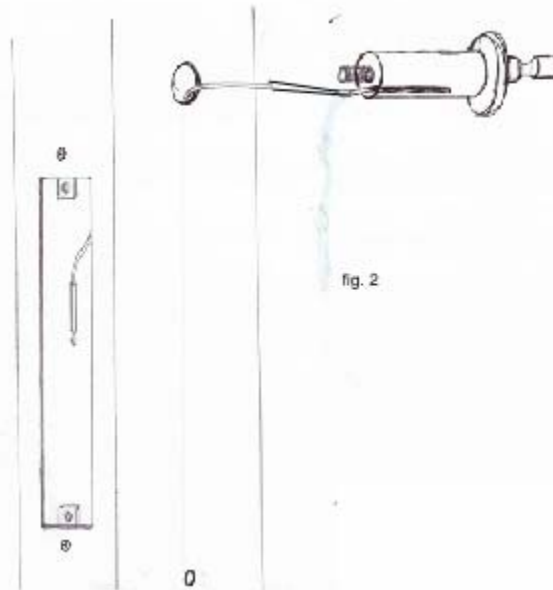
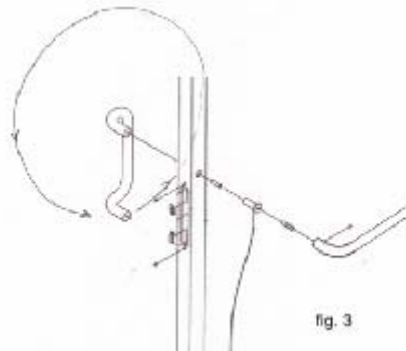


Fig. 1

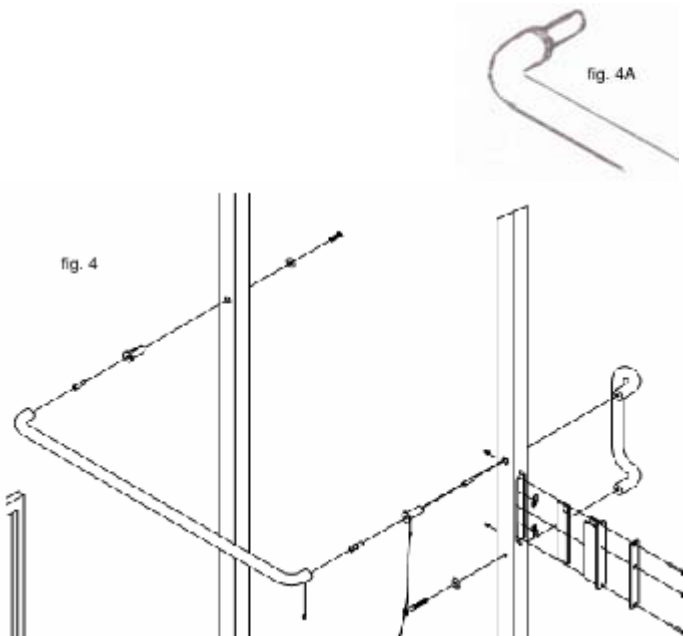
Insert the iso-stud with conehead at shoulder, threaded rod opposite and touch sensor antenna inserted and captured as shown in fig. 1. Feed the antenna wire through the 5/8" diameter hole first and follow with the iso-stud assembly inserting the assembly through the door until the threaded rod protrudes through the exterior face of the door (fig. 2.).



The exterior pull must be threaded onto the threaded rod in this application. The iso-stud assembly must be kept stationary to prevent antenna wire from winding around the stud inside the door cavity. Do not over tighten the pull as it snugs against the door as the other fastener will secure the pull mechanically. At this time, fasten the other pull attachment with a common through-bolt machine screw and trim ring. (fig.3.)

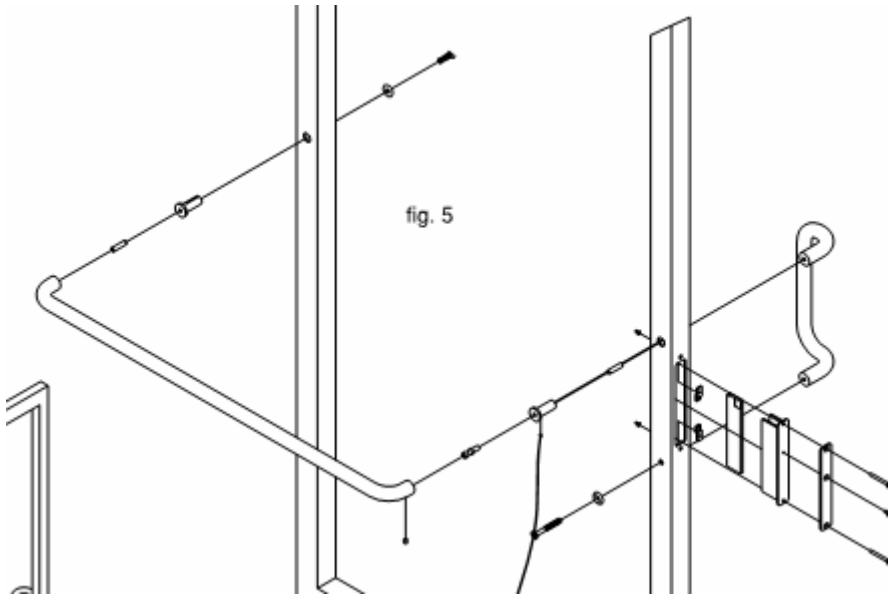


Now the touch sensitive handle can be attached to the interior of the door. Thread the iso-stud for the hinge side of the door onto the handle as shown in (fig. 4A.) Insert the attached iso-stud and handle as shown in (fig. 4.). Secure the push handle with set screws (included) and complete the attachment on the exterior of the door with the smaller machine screw and trim ring (included).



The handle is now secured to the door. The touch sensor circuit antenna wire should be visible in the MS lock cut-out in the vertical edge of the door. The touch sensor cable wire should be fished through the door frame as shown. Wire

transfer from the door to the door frame can be accomplished with a door cord or other wire transfer, electric hinge options.



Attach the touch sensor cable and antenna wire to the sensor. The sensor board is contained inside a black plastic housing that uses the same door fabrication and attachment as a standard MS lock. Insert the sensor assembly and secure with the screws (included). The blank cover plate attaches with the screws supplied.